



CJX1-09、12

使用范围Application

CJX1(3TB)系列交流接触器是九十年代最新产品。本系列产品为交流 50Hz或 60Hz, 额定绝缘电压为690-1000V, 在AC-3使用类别下额定工作电压为380V时的额定工作电流为9A-400A.主要供远距离接通及分断电路之用, 适用于控制交流电动机的起动、停止及反转, 本产品是引进德国西门子公司制造技术的产品, 符合 IEC947, VDE0660, GB14048等标准。

CJX1(3TB) Series AC Contactors are latest products in 1990's. The series products are suitable for frequency of 50/60Hz, rated insulation voltage up to 690-1000V, rated operational current up to 9A-400A at rated operational voltage up to 380V under the utilization category AC-3. CJX1(3TB) Series AC Contactors are mainly used for making and breaking electric circuits at a long distance and for frequent starting stopping and reversing control of AC motors. They comply with IEC947, VDE0660, GB14048.

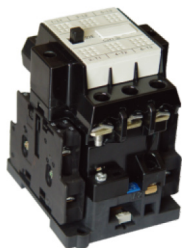


CJX1-16、22

工作条件Operating Conditions

- 1、海拔高度不超过2000米;
- 2、周围环境温度: -25°C~+55°C;
- 3、空气相对湿度: 在+40°C时不超过50%, +25°C时不超过90%;
- 4、大气条件没有会引起爆炸危险的介质, 也没有腐蚀金属和破坏绝缘的气体 and 导电尘埃;
- 5、在无显著摇动和冲击振动的地方;
- 6、在没有雨雪侵袭的地方。

1. The altitude of the site of installation does not exceed 2000 meters above sea levels;
2. The ambient air temperature: -25~+55°C;
3. Relative humidity does not exceed 50% at +40°C and 90% at +25°C.
4. Atmosphere conditions: the air does not contain any explosive medium, corrosive gases and conductive dust;
5. Never be shocked and vibrate obviously;
6. Never be wetted by rain and snow.



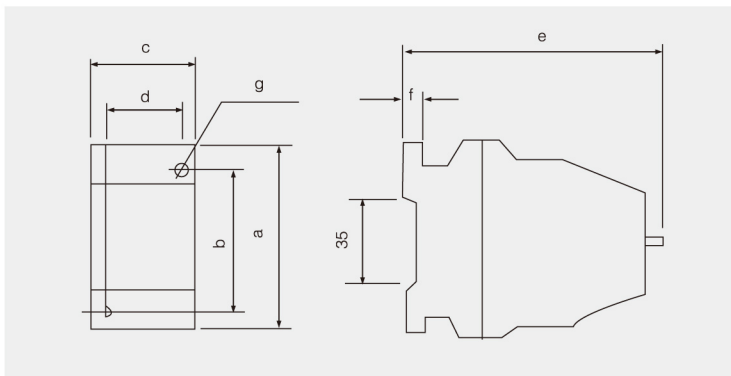
CJX1-32

结构特征Features

- 1、安全性能好, 导电部件不外露;
 - 2、体积小, 重量轻, 灭弧罩材料采用不饱和树脂, 耐弧性好, 不会碎裂;
 - 3、灭弧室呈封闭型, 飞弧距离小, 可缩小电气箱体尺寸;
 - 4、主触头系统结构独特, 触头磨损小, 电寿命增加;
 - 5、电磁铁工作可靠, 损耗少, 噪音小, 且具有很高的机械强度;
 - 6、操作频率和控制容量高;
 - 7、CJX1-F(3TF)系列可外加辅助触头座;
1. For better safety, conductive part are enclosed.
 2. Small sizes, light weight, material of arc chute adopts unsaturated resin, with good arc resistance never splitting.
 3. The arc chute is enclosed, arc-over distance is small, with a compact electric cabinet.
 4. Construction of main contacts system is unique, abrasion of the contacts is small, with a long electric endurance.
 5. The operation of the magnet has many advantages such as good reliability, little consumption, low noise and high mechanical strength.
 6. The contactors have higher operation frequency and control capacity.
 7. Auxiliary contact block may be attached to CJX1-F series AC contactors.

型号Type		CJX1-9 (3TB40)	CJX1-12 (3TB41)	CJX1-16 (3TB42)	CJX1-22 (3TB43)	CJX1-32 (3TB44)	
额定绝缘电压(V)Rated insulation voltage		660	660	660	660	660	
额定工作电流(380V)(A) Rated operational current (380V)	AC-3	9	12	16	22	32	
	AC-4	3.3	4.3	7.7	8.5	15.6	
可控电机功率(KW) Control motor power	AC-3	230/220V	2.4	3.3	4	6.1	8.5
		400/380V	4	5.5	7.5	11	15
		500V	5.5	7.5	10	11	21
		690/660V	5.5	7.5	11	11	23
		1000V	-	-	-	-	-
	AC-4	400/380V	1.4	1.9	3.5	4	7.5
	690/660V	2.4	3.3	6	6.6	13	
机械寿命(×10 ⁶)Mechanical endurance		10	10	10	10	10	
电寿命(x106) Electrical endurance	AC-3	1.0	1.0	1.0	1.0	1.0	
	AC-4	0.2	0.2	0.2	0.2	0.2	
操作频率(1/h) Switching frequency	AC-3	1000	1000	750	750	750	
	AC-4	250	250	250	250	250	
吸引线圈工作电压范围Coil voltage tolerance		(0.8-1.1)Us					
吸引线圈功率消耗(AC) Power consumption of coil (50Hz)	保持(VA)/Closed	10	10	10	10	10	
	功率因数p.f.	0.29	0.29	0.29	0.29	0.29	
	吸合(VA)/Closing	68	68	68	68	68	
	功率因数p.f.	0.82	0.82	0.82	0.82	0.82	
约定发热电流(A)Convention althermal current		20	20	30	30	45	
辅助触头约定发热电流(A) Conventional thermal current of auxiliary contacts		10	10	10	10	10	
辅助触头额定工作电流(A) Rated operational current of auxiliary contacts	AC-15 380/220V	6/10	6/10	6/10	6/10	4/6	
重量Weight		0.43	0.43	0.49	0.49	0.7	
线圈电压订货号AC Order No.voltage for coils		50Hz线圈/Coil for 50Hz AC V			50Hz/60Hz线圈Coilfor50Hz/60HZ AC V		
		24 BO			24 C1		
		42 DO			42 D1		
		110 FO			110 G1		
		220 MO			220 P1		
		240 UO			240 R1		
		380 QO					

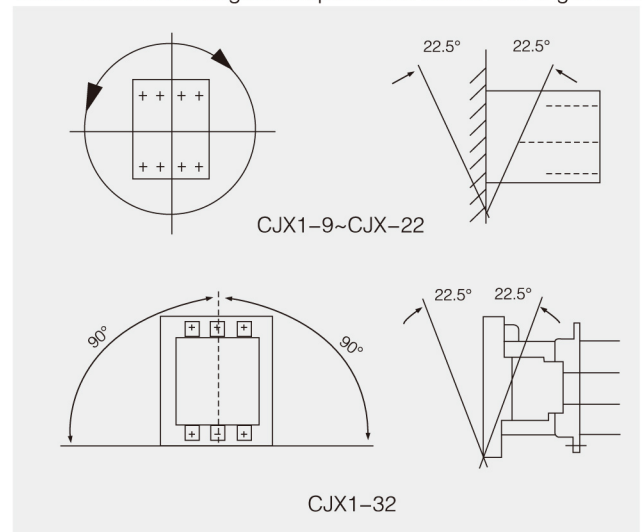
CJX1-9—CJX1-32外形及安装尺寸Outline&Mountng Size



型号Type	a	b	c	d	e	F	g
CJX1-9,CJX1-12	79	60	46	35	*90 106	7.5	φ5
CJX-16,CJX1-22	89	75	46	35	116	8	φ5
CJX1-32	90	75	74	50	109	8	φ5

允许安装位置Permissible Mounting Positiom

接触器必须安装在如下图所示的垂直表面上
 The contactors are designed for operation on vertical mounting surfcae



使用范围Application

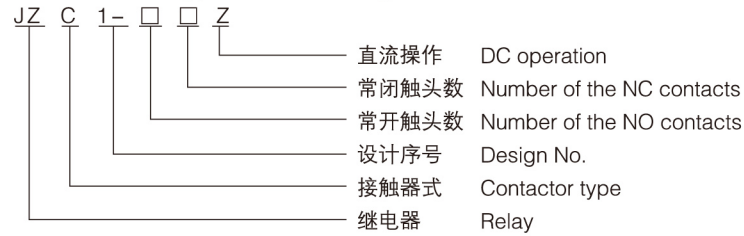
适用于交流50Hz或60Hz，额定电压至660V或直流额定电压至600V的控制电路中，用来控制各种电磁线圈，以使信号放大或将信号同时传递给有关控制元件，其性能指标等同于3T(-)系列产品。

The products are suitable for using in the controlling circuits up to rate voltage AC 660V or DC 660V 50Hz or 60Hz,for controlling various electro-agnetic coils to increase signal or transfer signal to relative controlling elements.



JZC1-80

型号及其含义Type And Meaning



结构特征Features

继电器为E字形铁芯，双断点触头的直动式结构。触点有多种型式组合，动作机构灵活，设计紧凑，可确保安全，安装方式可用螺钉紧固，也可用35EN50022型标准安装导轨安装，具有装卸方便迅速之优点。

The relays consist of core in the form of letter "E"and a straight motion mechanism having a bridge double-breaking system. Desighed compact and sensitively,the relays are easy to manually check.They can be mounted by screws or snapped on 35mm top-hat,standard rail.This will save much time and labour costs.

主要技术参数 Main Technical Parameter

1. 额定绝缘电压：交流660V；
2. 额定工作电压：交流最高至660V,直流600V；
3. 约定发热电流Ith为10A；
4. 额定操作频率最高为1200次/小时；
5. 负载因数为40%；
6. 线圈电压工作范围：80~110%额定控制电压；
7. 继电器的额定控制容量和额定工作电流如表1
8. 继电器在AC15和DC13使用类别下的电寿命10⁶；
9. 机构寿命为15x10⁶
10. 控制线圈额定电压交流50Hz:24、36(48)(110)、127、220、(380)V;直流：24、110、220、440V。
11. 继电器控制线圈消耗功率:吸动时:<68VA
吸合时:<10VA
12. 触头组合形式如表2。

1. Rated insulation voltage:AC 660V ;
2. Rated operating voltage: AC 660V、 DC600V;
3. Conventional thermal current 1th: 10A;
4. Max. operating frequency: 1200ops/h;
5. Loading elements 40%;
6. Voltage operating range:80~110%rated coil voltage Us;
7. Rated controlling capacity and rated current of the relay as in Table 1;
8. Electrical endurance:under A.C.15 D.C.13 will be 10⁶;
9. Mechanical endurance:1.5x 10⁶;
10. Rated coil voltage Us:AC 24, 36, 48, 110,127,220, 380V(50Hz);DC 24, 110,220,440V;
11. Rated coil power-loss: <68VA(when closing), <10VA(after closing);
12. The combination form of contacts as Table 2,



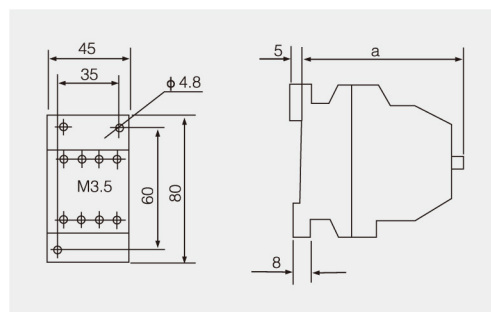
JZC1-82

AC-15

额定控制容量(VA) Rated controlling capacity	额定工作电流(A) Rated operating current			
	127V	220V	380V	660V
360	2.8	1.6	1	0.55

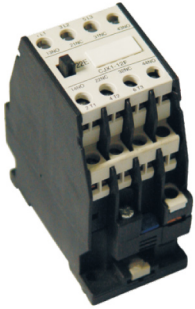
DC-13

额定控制容量(W) Rated controlling capacity(W)	额定工作电流(A) Rated operating current		
	110V	220V	660V
360	0.32	0.16	0.55



型号Type	结构Structure	触头型式Contact	
		常开NO	常闭NC
JZC1-8013	单层 Single storey	1	3
JZC1-8040		4	0
JZC1-8031		3	1
JZC1-8022		2	2
JZC1-8280	双层 Doule storey	8	0
JZC1-8271		7	1
JZC1-8262		6	2
JZC1-8253		5	3
JZC1-8244		4	4

主要技术参数 Main Technical Parameter



CJX1-9F
-12F



CJX1-16F
-22F

型号Type		CJX1-9F (3TF40)	CJX1-9 (3TB40)	CJX1-12F (3TF41)	CJX1-12 (3TB41)
额定绝缘电压Rated insulation voltage		690	690	690	690
额定工作电流(380V)(A) Rated operational current (380V)	AC-3	9	9	12	12
	AC-4	3.3	3.3	4.3	4.3
可控电机功率(KW) Control motor power	AC-3	230/220V	2.4	2.4	3.3
		400/380V	4	4	5.5
	AC-4	500V	5.5	5.5	7.5
		690/660V	5.5	5.5	7.5
		400/380V 690/660V	1.48/1.4 2.54/2.4	1.48/1.4 2.54/2.4	2/1.9 3.45/3.3
机械寿命(x10 ⁶)Mechanical endurance		15	15	15	15
电寿命(x10 ⁶) Electrical endurance	AC-3	1.2	1.2	1.2	1.2
	AC-4	0.2	0.2	0.2	0.2
操作频率(1 / h) Switching frequency	AC-3	1000	1000	1000	1000
	AC-4	250	250	250	250
吸引线圈工作电压范围Coil voltage tolerance		(0.8~ 1.1)Us			
吸引线圈功率消耗(AC) Power consumption of coil (50Hz)	保持(VA)/Cfosed		10	10	10
	功率因数p.f.		0.29	0.29	0.29
	吸合(VA)/Closing		68	68	68
	功率因数p.f.		0.82	0.82	0.82
约定发热电流(A)Convention althermal current		20	20	20	20
辅助触头约定发热电流(A) Conventional thermal current of auxiliary contacts		10	10	10	10
辅助触头额定工作电流(A) Rated operational current of auxiliary contacts		AC-15 380/220V	4/6	6/10	4/6
重量(kg)Weight		AC0.37	AC0.43	AC0.37	AC0.43

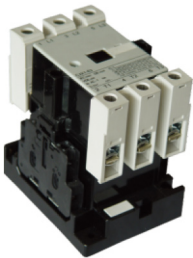
型号Type		CJX1-16F (3TF42)	CJX1-16 (3TB42)	CJX1-22F (3TF43)	CJX1-22 (3TB43)
额定绝缘电压Rated insulation voltage		690	690	690	690
额定工作电流(380V)(A) Rated operational current (380V)	AC-3	16	16	22	22
	AC-4	7.7	7.7	8.5	8.5
可控电机功率(KW) Control motor power	AC-3	230/220V	4	4	5.5
		400/380V	7.5	7.5	11
	AC-4	500V	9	9	11
		690/660V	11	11	11
		400/380V 690/660V	3.5 6	3.5 6.6	4 6.6
机械寿命(x10 ⁶)Mechanical endurance		15	15	15	15
电寿命(x10 ⁶) Electrical endurance	AC-3	1.2	1.2	1.2	1.2
	AC-4	0.2	0.2	0.2	0.2
操作频率(1 / h) Switching frequency	AC-3	750	750	750	750
	AC-4	250	250	250	250
吸引线圈工作电压范围Coil voltage tolerance		(0.8~ 1.1)Us			
吸引线圈功率消耗(AC) Power consumption of coil (50Hz)	保持(VA)/Cfosed		10	10	10
	功率因数p.f.		0.29	0.29	0.29
	吸合(VA)/Closing		68	68	68
	功率因数p.f.		0.82	0.82	0.82
约定发热电流(A)Convention thermal current		30	30	30	30
辅助触头约定发热电流(A) Conventional thermal current of auxiliary contacts		10	10	10	10
辅助触头额定工作电流(A) Rated operational current of auxiliary contacts		AC-15 380/220V	4/6	6/10	6/10
重量(kg)Weight		AC0.45	AC0.49	AC0.45	AC0.49

CJX1-F(3TF)系列交流接触器

CJX1-F(3TF) SERIES AC CONTACTOR



CJX1-32F
-38F



CJX1-45
-63



CJX1-75
-85

型号Type		CJX1-32F (3TF-44)	CJX1-32 (3TB-44)	CJX1-38F (3TF-45)
额定绝缘电压Rated insulation voltage		690	690	690
额定工作电流(380V)(A) Rated operational current (380V)	AC-3	32	32	38
	AC-4	15.6	15.6	18.5
可控电机功率(KW) Control motor power	AC-3	230/220V	8.5	11
		400/380V	15	18.5
	AC-4	500V	21	25
		690/660V	23	23
		1000V	-	-
		400/380V	7.5	9
		690/660V	13	15.5
机械寿命(x10 ⁶)Mechanical endurance		10	10	10
电寿命(x10 ⁶) Electrical endurance	AC-3	1.2	1.2	1.2
	AC-4	0.2	0.2	0.2
操作频率(1/h) Switching frequency	AC-3	750	750	600
	AC-4	250	250	200
吸引线圈工作电压范围Coil voltage tolerance		(0.8~1.1)Us		
吸引线圈功率消耗(AC) Power consumption of coil (50Hz)	保持(VA)/Cfosed	12.1	12.1	12.1
	功率因数p.f.	0.28	0.28	0.28
	吸合(VA)/Closing	101	101	101
	功率因数p.f.	0.83	0.83	0.83
约定发热电流(A)Conventional thermal current		55	55	55
辅助触头约定发热电流(A) Conventional thermal current of auxiliary contacts		10	10	10
辅助触头额定工作电流(A) Rated operational current of auxiliary contacts	AC-15 380/220V	4/6	4/6	4/6
重量(kg)Weight		AC0.68	AC0.8	AC0.68

型号Type		CJX1-45 (3TF-46)	CJX1-63 (3TF-47)	CJX1-75 (3TF-48)	CJX1-85 (3TF-49)	
额定绝缘电压Rated insulation voltage		1000	1000	1000	1000	
额定工作电流(380V)(A) Rated operational current (380V)	AC-3	45	63	75	85	
	AC-4	24	28	34	42	
可控电机功率(KW) Control motor power	AC-3	230/220V	15	18.5	22	
		400/380V	22	30	37	
	AC-4	500V	30	41	50	
		690/660V	39	55	67	
		1000V	-	39	39	
		400/380V	12.6/12	14.7/14	17.9/17	22/21
		690/660V	21.8/20.8	25.4/24.3	30.9/29.5	38/36
机械寿命(x10 ⁶)Mechanical endurance		10	10	10	10	
电寿命(x10 ⁶) Electrical endurance	AC-3	1.2	1.2	1.2	1.2	
	AC-4	0.2	0.2	0.2	0.2	
操作频率(1/h) Switching frequency	AC-3	1200	1000	1000	850	
	AC-4	400	300	300	250	
吸引线圈工作电压范围Coil voltage tolerance		(0.8~1.1)Us				
吸引线圈功率消耗(AC) Power consumption of coil (50Hz)	保持(VA)/Cfosed	17	17	32	32	
	功率因数p.f.	0.29	0.29	0.29	0.29	
	吸合(VA)/Closing	183	183	330	330	
	功率因数p.f.	0.6	0.6	0.6	0.6	
约定发热电流(A)Conventional thermal current		80	90	100	100	
辅助触头约定发热电流(A) Conventional thermal current of auxiliary contacts		10	10	10	10	
辅助触头额定工作电流(A) Rated operational current of auxiliary contacts	AC-15 380/220V	4/6	4/6	4/6	4/6	
重量(kg)Weight		AOI, 4/1.6	AC1.4/1.6	AC2,3/2.5	AC2,3/2.5	



CJX1-110
-140

型号Type		CJX1-110 (3TF-50)	CJX1-140 (3TF-51)	CJX1-170 (3TF-52)	CJX1-205 (3TF-53)	
额定绝缘电压Rated insulation voltage		1000	1000	1000	1000	
额定工作电流(380V)(A) Rated operational current (380V)	AC-3	110	140	170	205	
	AC-4	54	68	75	96	
可控电机功率(KW) Control motor power	AC-3	230/220V	37	43	55	64
		400/380V	55	75	90	110
		500V	76	98	118	145
	AC-4	690/660V	100	100	156	156
		1000V	65	65	90	90
		400/380V 690/660V	28.4/27 49/46.9	36/35 63/60	40/38 69/66	52/50 90/86
机械寿命(x10 ⁶)Mechanical endurance		10	10	10	10	
电寿命(x10 ⁶) Electrical endurance	AC-3	1.2	1.2	1.2	1.2	
	AC-4	0.2	0.2	0.2	0.2	
操作频率(1 / h) Switching frequency	AC-3	1000	750	700	500	
	AC-4	300	200	200	130	
吸引线圈工作电压范围Coil voltage tolerance		(0.8 ~ 1.1)Us				
吸引线圈功率消耗(AC) Power consumption of coil (50Hz)	保持(VA)/Cfosed	39	39	58	58	
	功率因数p.f.	0.24	0.24	0.26	0.26	
	吸合(VA)/Closng	550	550	910	910	
	功率因数p.f.	0.45	0.45	0.38	0.38	
约定发热电流(A)Conventional thermal current		160	160	210	220	
辅助触头约定发热电流(A) Conventional thermal current of auxiliary contacts		10	10	10	10	
辅助触头额定工作电流(A) Rated operational current of auxiliary contacts		AC-15 380/220V	4/6	4/6	4/6	
重量(kg)Weight		AC3.3/3.5	AC3.3/3.5	AC4.8/5.0	AC4.8/5.0	



CJX1-170
-205

型号Type		CJX1-250 (3TF-54)	CJX1-300 (3TF-55)	CJX1-400 (3TF-56)	
额定绝缘电压Rated insulation voltage		1000	1000	1000	
额定工作电流(380V)(A) Rated operational current (380V)	AC-3	250	300	400	
	AC-4	110	125	150	
可控电机功率(KW) Control motor power	AC-3	230/220V	78	93	125
		400/380V	132	160	200
		500V	178	210	284
	AC-4	690/660V	235	235	375
		1000V	132	132	250
		400/380V 690/660V	61/58 105/100	69/66 119/114	85/81 147/140
机械寿命(x10 ⁶)Mechanical endurance		10	10	10	
电寿命(x10 ⁶) Electrical endurance	AC-3	1.2	1.2	1.2	
	AC-4	0.2	0.2	0.2	
操作频率(1 / h) Switching frequency	AC-3	700	500	500	
	AC-4	200	130	150	
吸引线圈工作电压范围Coil voltage tolerance		(0.8 ~ 1.1)Us			
吸引线圈功率消耗(AC) Power consumption of coil (50Hz)	保持(VA)/Cfosed	84	84	115	
	功率因数p.f.	0.24	0.24	0.33	
	吸合(VA)/Closng	1430	1430	2450	
	功率因数p.f.	0.34	0.34	0.21	
约定发热电流(A)Conventional thermal current		300	300	400	
辅助触头约定发热电流(A) Conventional thermal current of auxiliary contacts		10	10	10	
辅助触头额定工作电流(A) Rated operational current of auxiliary contacts		AC-15 380/220V	4/6	4/6	
重量(kg)Weight		AC6.2/6.4	AC6.2/6.4	AC8.5/8.7	

CJX1-F(3TF)系列交流接触器

CJX1-F(3TF) SERIES AC CONTACTOR

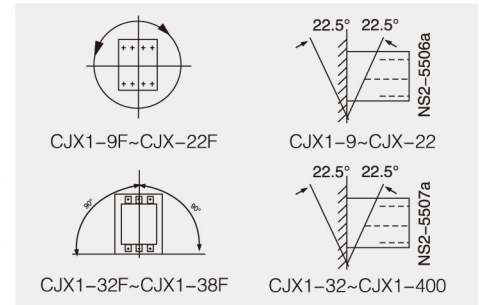
线圈电压订货号AC Order No.suffixes for rated control voltages for coils	50Hz线圈/ Coil for 50Hz 50Hz 60Hz	60Hz线圈/ Coil for 50Hz 50Hz 60Hz	50Hz/60Hz线圈 Coil for 50Hz/60Hz
	24V 29V BO 42V 50V DO 110V 132V FO 220V 264V MO 230V 277V PO 380V 460V QO 400V 480V VO	20V 24V C1 36V 42V GO 92V 110V G1 183V 220V N1 200V 240V P1	24V C2 42V D2 110V G2 220V N2 400V P2
线圈电压订货号DC Order No.suffixes for rated control voltages for coils	额定Rated V DC 控制电压Control voltage 24 48 110 125 220 订货号Order No.suffix B4 W4 F4 G4 M4		

允许安装位置

Permissible Mounting Position

接触器必须安装在如下图所示的垂直表面上

The contactors are designed for operation on vertical mounting surface



外形及安装尺寸 Outline & Mounting Size

CJX1交流接触器 AC Contactor

型号Type	amax	b	cmax	d	emax	f	φ
CJX1-9/22	79	60 ± 0.60	46	35 ± 0.50	106	8	4.8 ^{+0.48} ₀
CJX1-12/22	79	60 ± 0.60	46	35 ± 0.50	106	8	4.8 ^{+0.48} ₀
CJX1-16/22	89	75 ± 0.60	46	35 ± 0.50	116	8	4.8 ^{+0.48} ₀
CJX1-22/22	89	75 ± 0.60	46	35 ± 0.50	116	8	4.8 ^{+0.48} ₀
CJX1-32/22	105	75 ± 0.60	82	35 ± 0.50	112	8	5 ^{+0.48} ₀
CJX1-38/22	105	75 ± 0.60	82	35 ± 0.50	112	8	5 ^{+0.48} ₀

型号Type	amax	b	cmax	d	emax	f	φ
CJX1-45/22	120	100 ± 0.70	92	70 ± 0.60	125	12	5 ^{+0.48} ₀
CJX1-63/22	120	100 ± 0.70	92	70 ± 0.60	125	12	5.5 ^{+0.48} ₀
CJX1-75/22	135	110 ± 0.70	105	80 ± 0.60	145	12	5.5 ^{+0.48} ₀
CJX1-85/22	135	110 ± 0.70	105	80 ± 0.60	145	12	6.5 ^{+0.48} ₀
CJX1-110/22	158	130 ± 0.80	125	100 ± 0.70	155	12	6.5 ^{+0.48} ₀
CJX1-140/22	158	130 ± 0.80	125	100 ± 0.70	155	12	6.5 ^{+0.48} ₀

型号Type	a1	a2	a3	b1	b2	c1	m	e1	f1	g	d1	d1	φ g1
CJX1-170	135	158	110	180	160	185	8	154	115	48	20	42	7
CJX1-205	135	158	110	180	160	185	10	159	115	48	25	48	7
CJX1-250	145	168	120	200	180	198	10	168	132	58	25	48	9
CJX1-300	145	168	120	200	180	198	10	168	132	58	25	48	9
CJX1-400	160	183	130	200	180	222	10	178	150	65	25	48	9
CJX1-475	160	183	130	200	180	222	10	182	150	65	30	52	9

