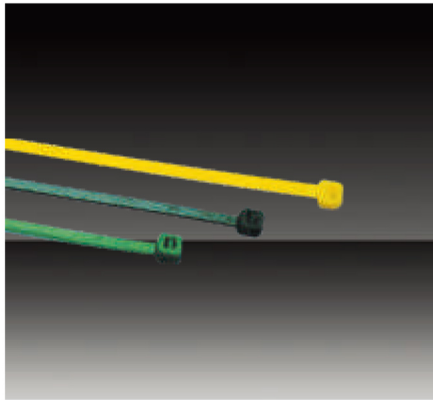
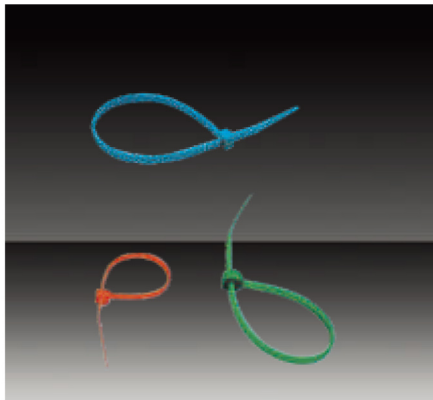
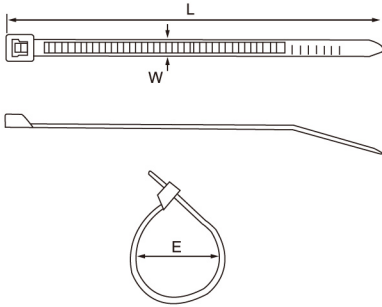


NYLON CABLE TIES



■ **Material:** Nylon 66,94V-2 certificated by UL.Heat-resisting,erosion control,insulate well and not apt to age.

Color:Natural(or white,standard color),UV black and other colors are available as requested.

ITEM NO.	L		W MM	BUNDLE DIAMETER MM	TENSILE STRENGTH	
	INCH	MM			LBS	KGS
DL-2.5 × 60	2.4"	60	2.5	2-11	18	8
DL-2.5 × 80	3.2"	80		2-16		
DL-2.5 × 100	4.0"	100		2-22		
DL-2.5 × 120	4.7"	120		2-30		
DL-2.5 × 150	6.0"	150		2-35		
DL-2.5 × 160	6.3"	160		2-40		
DL-2.5 × 200	8.0"	200		3-50		
DL-3.6 × 150	6.0"	150	3.6	3-35	40	18
DL-3.6 × 180	7.1"	180		3-42		
DL-3.6 × 200	8.0"	200		3-50		
DL-3.6 × 250	10"	250		3-65		
DL-3.6 × 280	11"	280		3-70		
DL-3.6 × 300	12"	300	3-80			
DL-4.8 × 120	4.7"	120	4.8	3-30	50	22
DL-4.8 × 180	7.1"	180		3-42		
DL-4.8 × 200	8.0"	200		3-50		
DL-4.8 × 250	10"	250		3-65		
DL-4.8 × 300	12"	300		3-80		
DL-4.8 × 350	14"	350		3-90		
DL-4.8 × 380	15"	380		3-102		
DL-4.8 × 400	16"	400	3-105			
DL-7.2 × 150	6.0"	150	7.2	3-35	120	55
DL-7.2 × 200	8.0"	200		3-50		
DL-7.2 × 250	10"	250		4-65		
DL-7.2 × 300	12"	300		4-80		
DL-7.2 × 350	14"	350		4-90		
DL-7.2 × 380	15"	380		4-100		
DL-7.2 × 400	16"	400		4-105		
DL-7.2 × 450	18"	450		4-110		
DL-7.2 × 500	20"	500	4-150			
DL-9.0 × 400	16"	400	9.0	8-105	175	79.4
DL-9.0 × 450	18"	450		8-118		
DL-9.0 × 500	20"	500		8-150		
DL-9.0 × 550	21.6"	550		8-160		
DL-9.0 × 600	23.6"	600		8-170		
DL-9.0 × 650	25.6"	650		8-185		
DL-9.0 × 720	28.3"	720		10-195		
DL-9.0 × 800	31.5"	800		10-230		
DL-9.0 × 900	35.5"	900		10-265		
DL-12 × 650	25.6"	650	12	14-185	250	114